



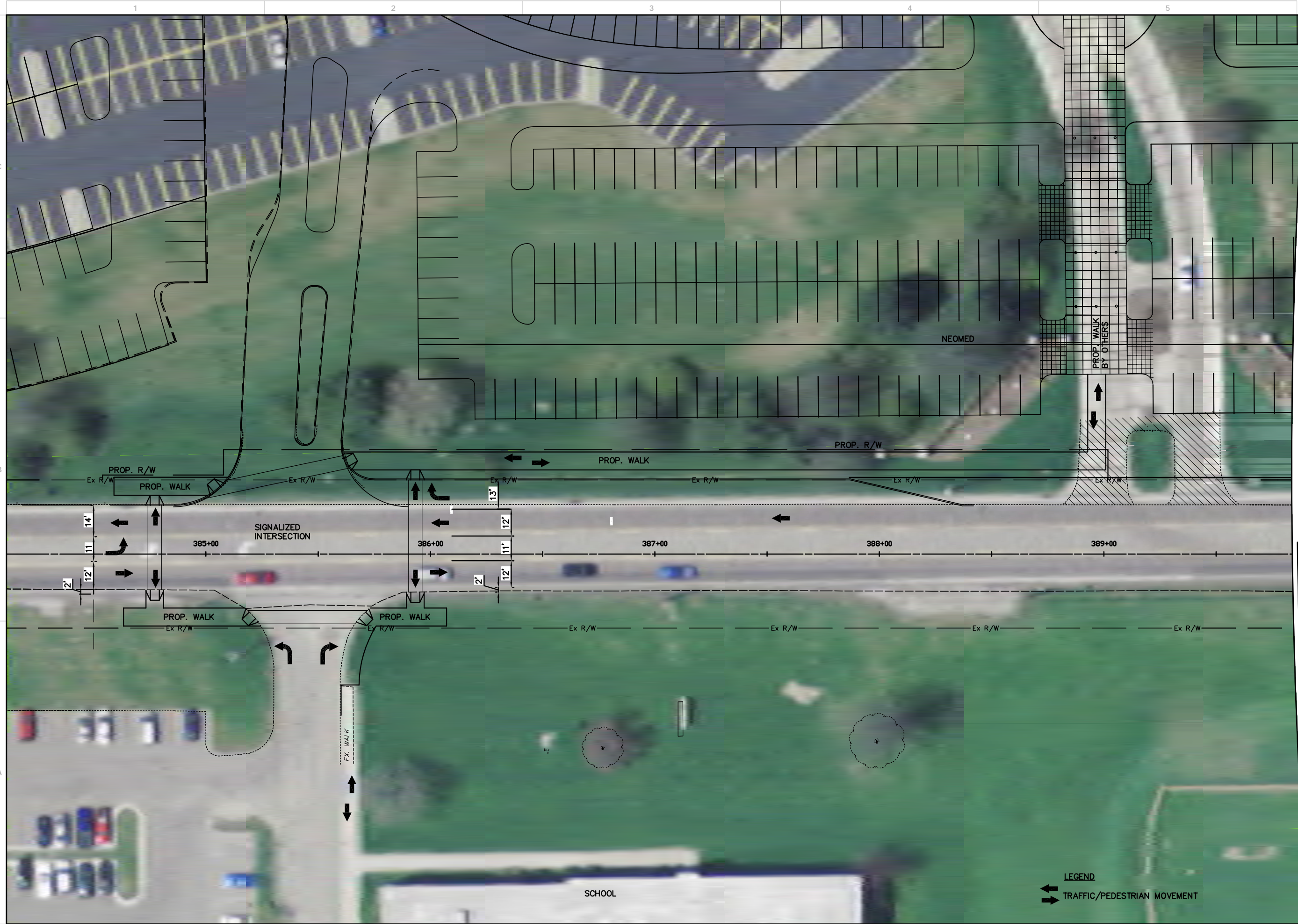
**NEOMED
 PEDESTRIAN CROSSING WITH
 REFUGE ISLANDS - OPTION A**

ISSUED FOR:

PERMIT	-
BID	-
CONSTRUCTION	-
RECORD	-

JOB NO.
2012180.00

LEGEND
 TRAFFIC/PEDESTRIAN MOVEMENT



**NEOMED
 PEDESTRIAN CROSSING
 OPTION B**

ISSUED FOR:	
PERMIT	-
BID	-
CONSTRUCTION	-
RECORD	-

JOB NO.
2012180.00

LEGEND
 TRAFFIC/PEDESTRIAN MOVEMENT

Drawing Name: O:\2012\2012180\Task_200\201218000 - Proposed Option B.dwg
 April 18, 2013 8:10 AM - mthomas



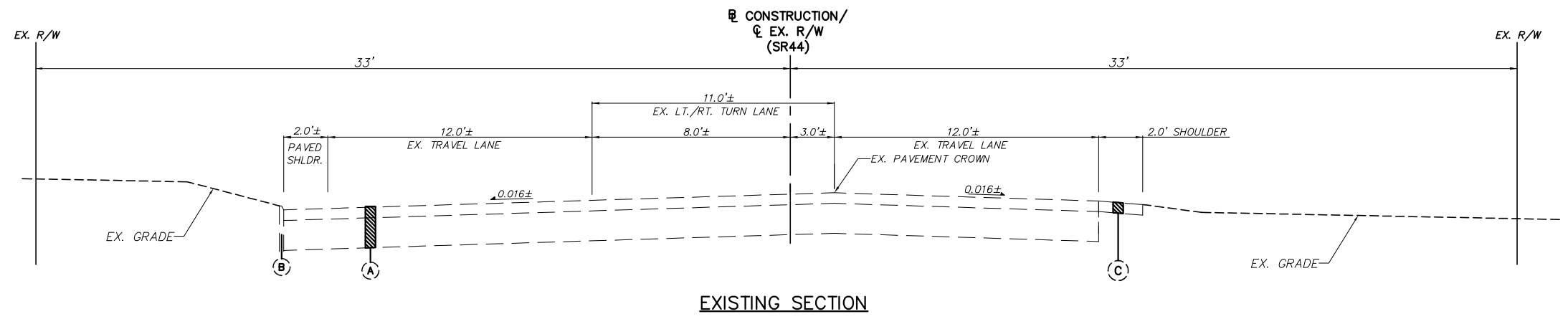
**NEOMED
 PEDESTRIAN BRIDGE
 OPTION C**

ISSUED FOR:

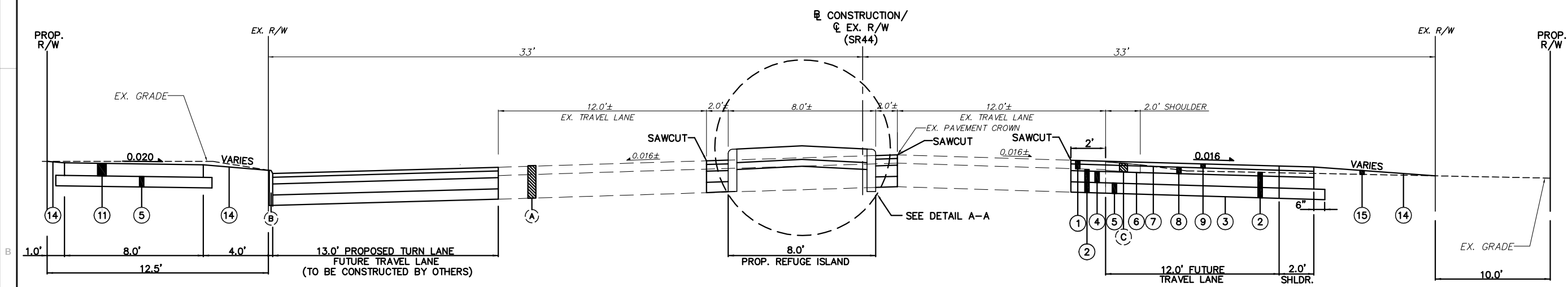
PERMIT	-
BID	-
CONSTRUCTION	-
RECORD	-

JOB NO.
2012180.00

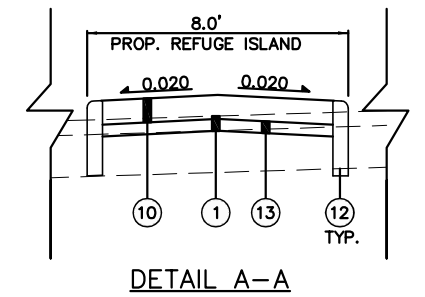
LEGEND
 TRAFFIC/PEDESTRIAN MOVEMENT



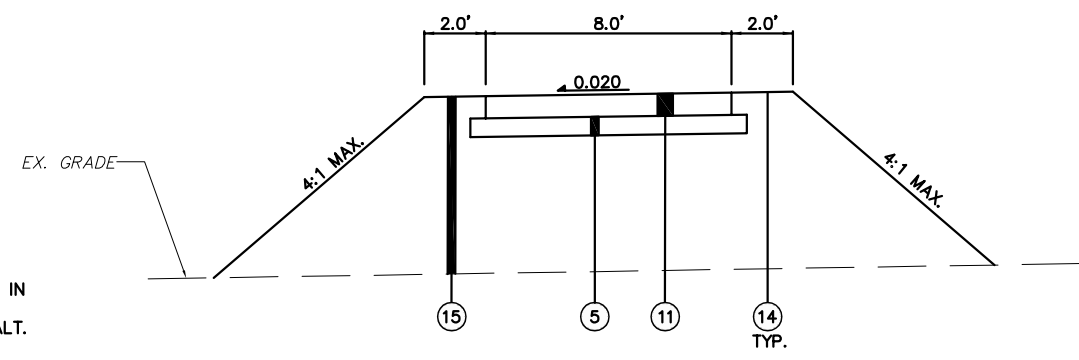
EXISTING SECTION



NORMAL SECTION



DETAIL A-A



WALK SECTION FOR PEDESTRIAN BRIDGE

- PROPOSED LEGEND**
- (1) ITEM 202 - PAVEMENT REMOVED, ASPHALT
 - (2) ITEM 203 - EXCAVATION
 - (3) ITEM 204 - SUBGRADE COMPACTION
 - (4) ITEM 301 - 6" ASPHALT CONCRETE BASE, PG64-22
 - (5) ITEM 304 - 6" AGGREGATE BASE, AS PER PLAN
 - (6) ITEM 407 - TACK COAT @ 0.075 GAL/SY
 - (7) ITEM 407 - TACK COAT FOR INTERMEDIATE COURSE @ 0.04 GAL/SY
 - (8) ITEM 448 - 1 3/4" ASPHALT CONCRETE INTERMEDIATE COURSE, TYPE 2, PG 64-22
 - (9) ITEM 448 - 1 1/4" ASPHALT CONCRETE SURFACE COURSE, TYPE 1, PG64-22, AS PER PLAN
 - (10) ITEM 452 - 8" NON-REINFORCED CONCRETE PAVEMENT
 - (11) ITEM 608 - 4" CONCRETE WALK
 - (12) ITEM 608 - CURB, TYPE 6
 - (13) ITEM 304 - 4" AGGREGATE BASE
 - (14) ITEM 659 - SEEDING AND MULCHING
 - (15) ITEM 203 - EMBANKMENT

- EXISTING LEGEND**
- (A) EXISTING ASPHALT CONCRETE PAVEMENT SECTION
 - (B) EXISTING CONCRETE CURB
 - (C) EXISTING ASPHALT SHOULDER

NOTES

THE EXISTING PAVEMENT EDGES SHOULD BE SAW CUT, IN A NEAT LINE, IN ORDER TO LOCATE SOUND PAVEMENT. INCLUDE THE COST OF CUTTING, TRIMMING, AND DISPOSAL UNDER ITEM 202 PAVEMENT REMOVED, ASPHALT. AN AVERAGE WIDTH OF 2' OF EXISTING PAVEMENT WAS USED FOR ESTIMATION PURPOSES.

ABBREVIATIONS

PROP. - PROPOSED
 WP - WIDTH OF PAVEMENT
 EX. - EXISTING
 CL - CENTERLINE
 BL - BASELINE
 R/W - RIGHT OF WAY
 PREF - PREFERRED
 STA - STATION

REV.	DATE	DESCRIPTION

NEOMED PEDESTRIAN CROSSING
TYPICAL SECTIONS

ISSUED FOR:	
PERMIT	-
BID	-
CONSTRUCTION	-
RECORD	-
PROJECT MANAGER	DESIGNER

JOB NO.
2012180.00